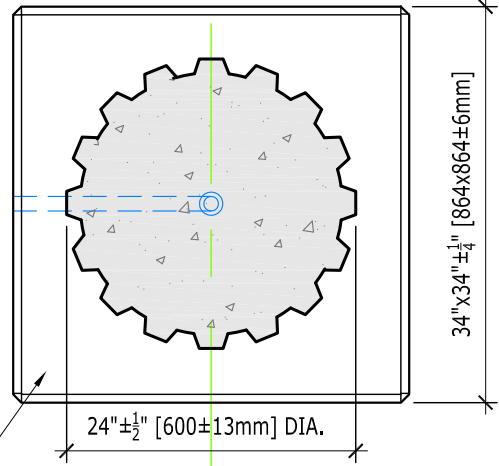
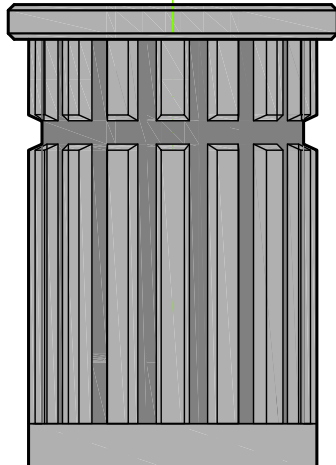


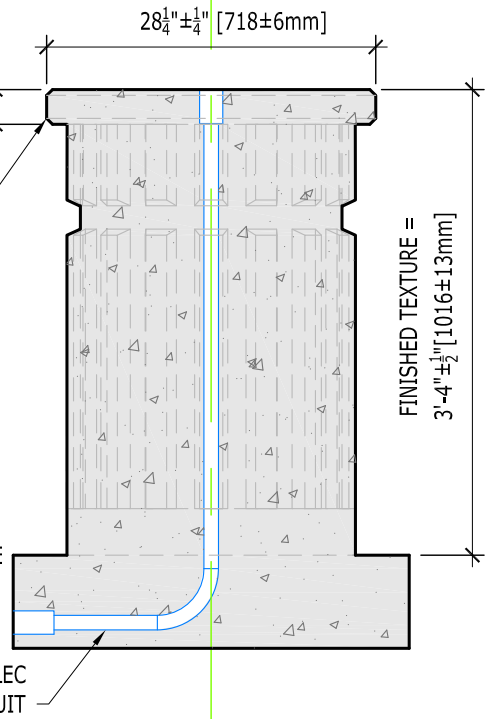
TOP VIEW



HORIZONTAL SECTION



SIDE VIEW - INSTALLATION



VERTICAL SECTION

GROUND SURFACE

6" [150mm]

6" [150mm]

6" [150mm]

STONE FOUNDATION

GRADE LINE

PVC ELEC CONDUIT

CONC. BASE

INTEGRAL CONC. CAP

3" ± 1/8" [76 ± 3mm]

28 1/4" ± 1/4" [718 ± 6mm]

24" ± 1/2" [600 ± 13mm] DIA.

34" x 34" ± 1/4" [864 x 864 ± 6mm]

FINISHED TEXTURE = 3'-4" ± 1/2" [1016 ± 13mm]

0" 3" 6" 9" 12"
SCALE

DRAWN BY:	BWL
SCALE:	3/4" = 1'-0"
DATE:	8SEP2014
SHEET:	1 of 1

TITLE:	ROUND FLUTED COLUMN
FILE:	POLE BASE DRAWINGS - 090814.dwg

pole baseTM
www.polebase.com