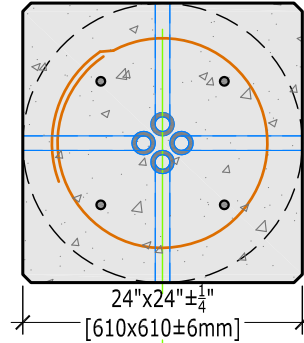
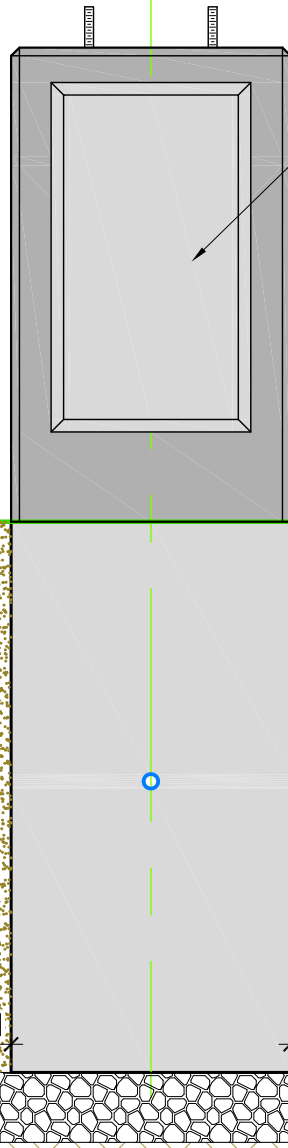


TOP VIEW



HORIZONTAL SECTION

24"x24" ± 1/4"
[610x610 ± 6mm]



SIDE VIEW - INSTALLATION

OPTIONAL CUSTOM TEXTURED RECESSED AREA

BACKFILL MATERIAL. COMPACT PER SPECS.

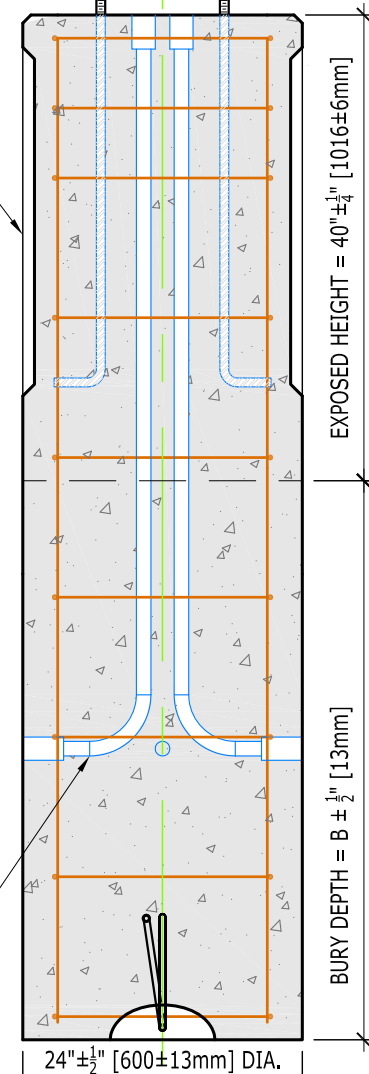
GROUND SURFACE

6" [150mm]

6" [150mm]

6" [150mm]

STONE FOUNDATION



VERTICAL SECTION

EXPOSED HEIGHT = 40" ± 1/4" [1016 ± 6mm]

BURY DEPTH = 6" ± 1/2" [13mm]

24" ± 1/2" [600 ± 13mm] DIA.

PVC ELEC CONDUITS

0" 3" 6" 9" 12"
SCALE

DRAWN BY:	BWL
SCALE:	3/4" = 1'-0"
DATE:	8SEP2014
SHEET:	1 of 1

TITLE:	SQUARE INLAY POLE BASE™
FILE:	

www.polebase.com