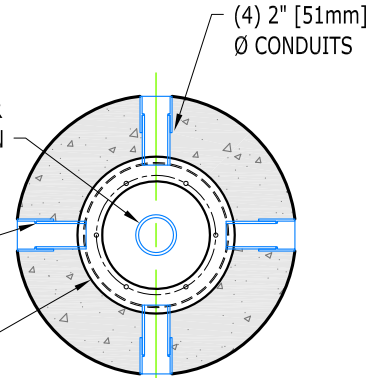


TOP VIEW

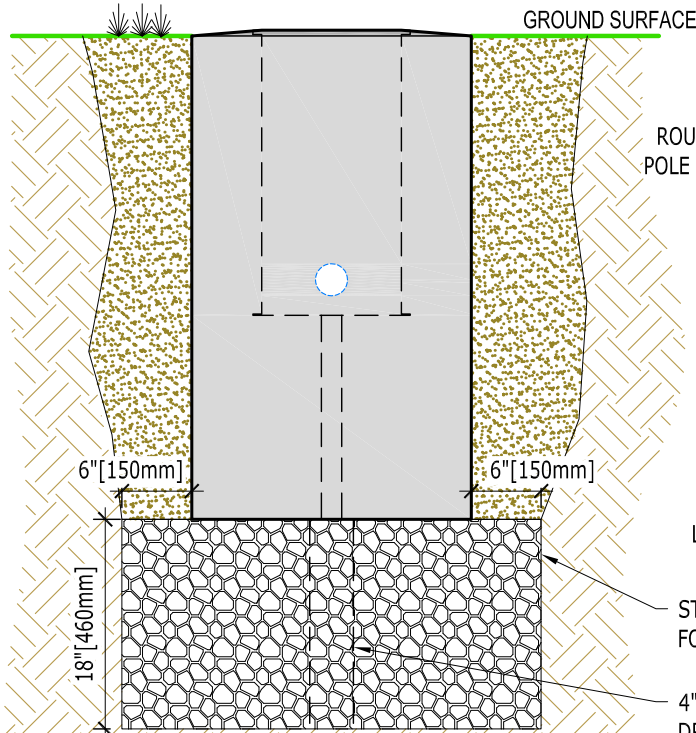
3" [76mm] Ø CONDUIT FOR
BOTTOM DRAIN

(4) 2" [51mm] Ø PVC
ELEC. CONDUITS
w/ FEMALE COUPLERS

GALV L-867 LIGHT BASE,
MODEL: _____



HORIZONTAL SECTION



SIDE VIEW - INSTALLATION

ROUND TAXIWAY
POLE BASE™ UNIT

3" ± 1/2" [76 ± 13mm]

2" [51mm] Ø
CONDUIT FOR
BOTTOM DRAIN

LIFTING INSERTS

24" ± 1/2" [600 ± 13mm] DIA.

STONE
FOUNDATION

4" [102mm]
DRAIN TILE

VERTICAL SECTION

1/2" ± 1/8" [13 ± 3mm]

3-5 1/2" ± 1/2" [1054 ± 13mm]

0" 3" 6" 9" 12"
SCALE

DRAWN BY:	BWL
SCALE:	3/4" = 1'-0"
DATE:	8SEP2014
SHEET:	1 of 1

TITLE:	TAXIWAY (BOTTOM DRAIN) POLE BASE™
FILE:	POLE BASE DRAWINGS - 090814.dwg

pole base™
www.polebase.com