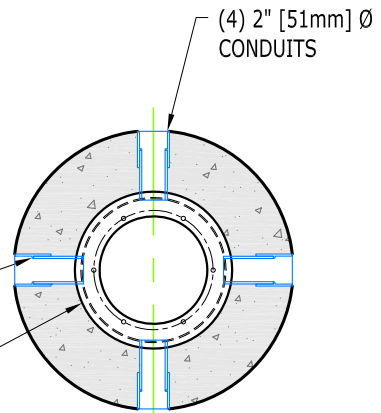


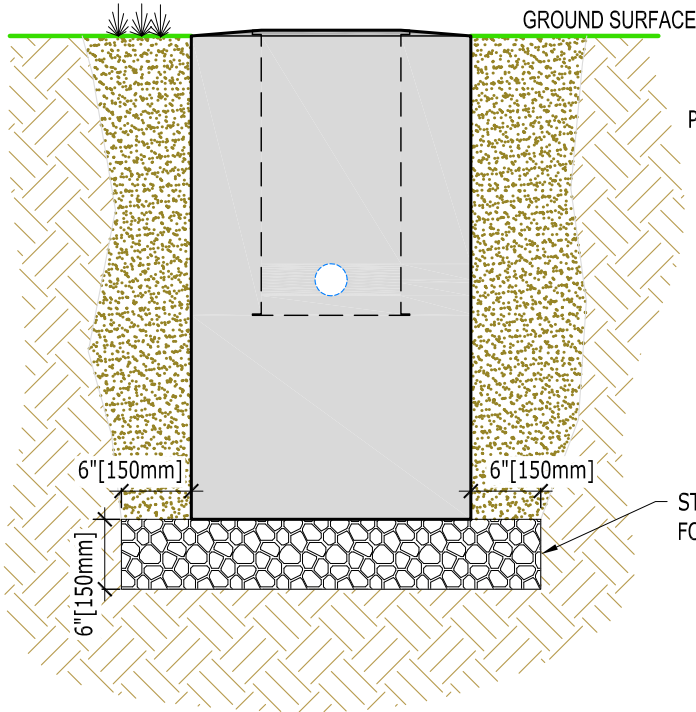
TOP VIEW

(4) 2" [51mm] Ø PVC  
ELEC. CONDUITS  
w/ FEMALE COUPLERS

GALV L-867 LIGHT BASE,  
MODEL: \_\_\_\_\_



HORIZONTAL SECTION

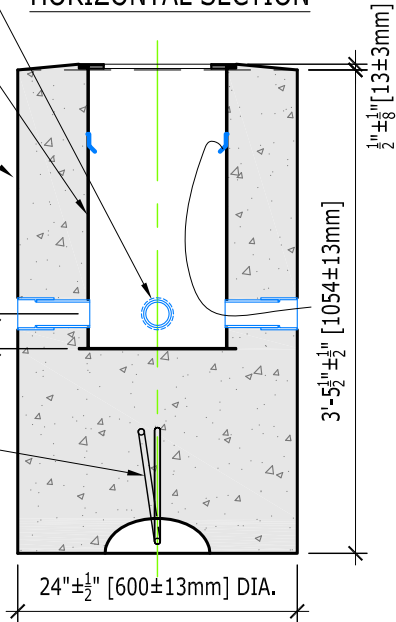


SIDE VIEW - INSTALLATION

ROUND TAXIWAY  
POLE BASE™ UNIT

LIFTING INSERT

STONE  
FOUNDATION



VERTICAL SECTION

0" 3" 6" 9" 12"  
SCALE

DRAWN BY:	BWL
SCALE:	3/4" = 1'-0"
DATE:	8SEP2014
SHEET:	1 of 1

TITLE:	TAXIWAY (SIDE DRAIN) POLE BASE™
FILE:	POLE BASE DRAWINGS - 090814.dwg

