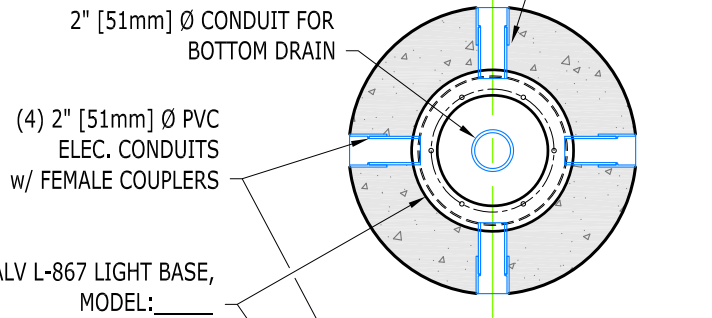
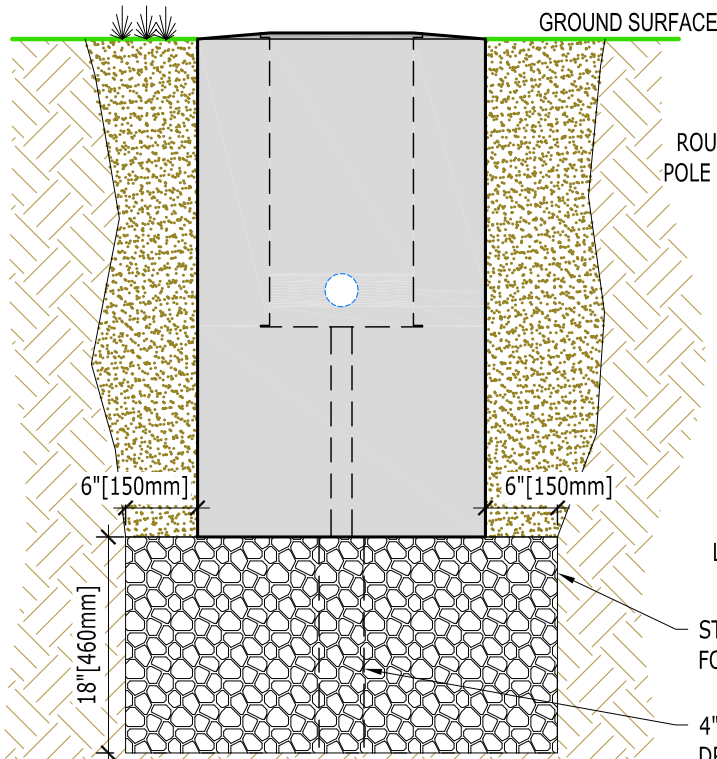


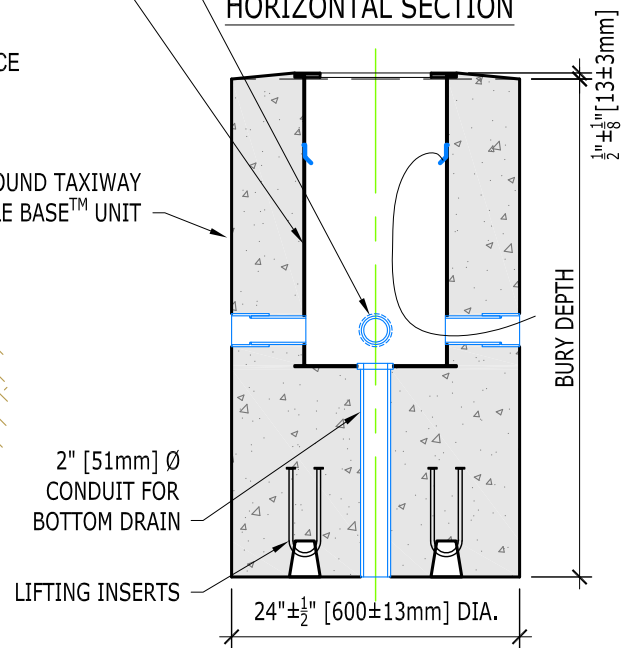
TOP VIEW



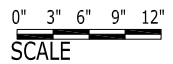
HORIZONTAL SECTION



SIDE VIEW - INSTALLATION



VERTICAL SECTION



DRAWN BY:	BWL
SCALE:	3/4" = 1'-0"
DATE:	8SEP2014
SHEET:	1 of 1

TITLE:	TAXIWAY (BOTTOM DRAIN) POLE BASE™
FILE:	POLE BASE DRAWINGS - 090814.dwg

